

# Innovative Bio Straw Production Equipment

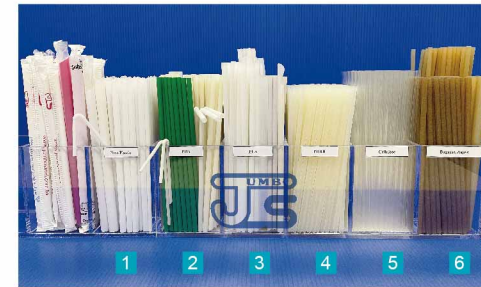
Contributing to global environmental protection efforts, this new biodegradable straw making machine delivers the quality and reliability that you deserve.

Enjoy a whole new level of straw production performance with the biodegradable straw making machine from JUMBO STEEL. It achieves the highest levels of productivity and performance through its superior construction, with many outstanding features incorporated into a single unit.

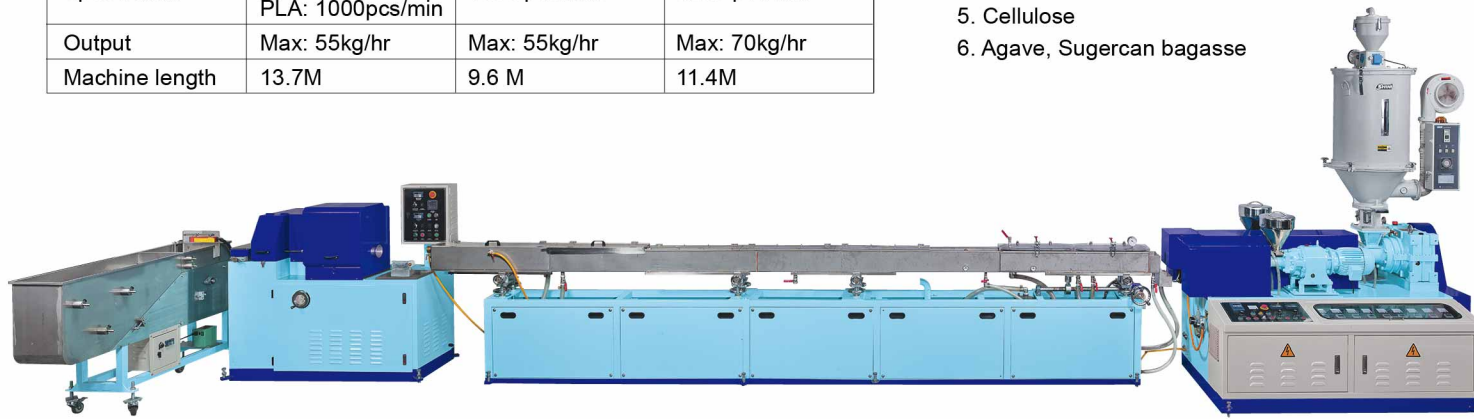
## BIODEGRADABLE STRAW MAKING MACHINE

(Material: Plastic free, PHA, PLA, PHBH, Cellulose, Agave, Sugercan bagasse)

Model	JS285/PHA	JS 285/HVA	JS 286/HVA
Material	PHA, PHBH, Fiber straw, PLA	PLA ,Fiber straw	PLA ,Fiber straw
Screw diameter	55mm	55mm	65mm
Motor	25HP	25HP	30HP
Straw diameter	6~8mm	6~8mm	6~8mm (12mm by request)
Straw length	190~270mm	190~270mm	190~270mm
Speed max	PHA: 800 pcs/min PLA: 1000pcs/min	1000 pcs/min	1200 pcs/min
Output	Max: 55kg/hr	Max: 55kg/hr	Max: 70kg/hr
Machine length	13.7M	9.6 M	11.4M



- BIO straw**
1. Plastic free
  2. PHA
  3. PLA
  4. PHBH
  5. Cellulose
  6. Agave, Sugercan bagasse



Straw Turnkey Machine for your selection:



JS 168  
Straw Bending Machine



JS 612H  
Spoon Straw  
Making Machine



JS 602U  
"U" Shape Tetra Pack  
Straw Packing Machine



JS 602  
"I" Shape Tetra Pack  
Straw Packing Machine



**壯鋼機械股份有限公司**  
**JUMBO STEEL MACHINERY CO., LTD.**

公司：40755台中市工業區工業12路4號 電話：+886-4-23590788(總機)  
NO. 4, ROAD 12, TAICHUNG INDUSTRIAL PARK, TAICHUNG 40755, TAIWAN.  
TEL: +886-4-23590788(Rep.) / 23591788 E-MAIL: sales@jumbosteel.com.tw  
FAX: +886-4-23590567 jumbostl@ms15.hinet.net



<http://www.jumbosteel.com.tw>

GENERAL-2022.09



# Bio Straw and Packing Solution

At Jumbo Steel, we have outstanding capabilities and resources to design and manufacture a wide variety of machines. Each one is built with the Jumbo Steel reputation of quality in mind. And, each one will present the operational performance that you have come to expect.



**JUMBO STEEL MACHINERY CO., LTD.**

## PAPER / BIO / PP STRAW INDIVIDUAL PACKING MACHINE

### JS 605PW

Speed: 500~800 pcs/min  
 Straw diameter: 5~8 mm / 6~13 mm  
 Straw length range: 19~26 cm  
 Packing material: Paper or OPP film  
 With 2 colors printer for paper  
 Can be in-line with straw making machine or auto bagger



JS 605PW

## HIGH SPEED STRAW GROUP PACKING MACHINE

For packing un-packed straw.

### JS 606

Max. speed: 30 bag/min or 1800 pcs/min  
 Packing material: OPP film  
 Packing quantity: 50~100 pcs/bag or 100~200 pcs/bag  
 With Photocell to pack printed film  
 Control system: PLC + HMI,  
 Drove by Servo motor



JS 606 / JS 603

## STRAW GROUP PACKING MACHINE

For packing un-packed straw.

### JS 603

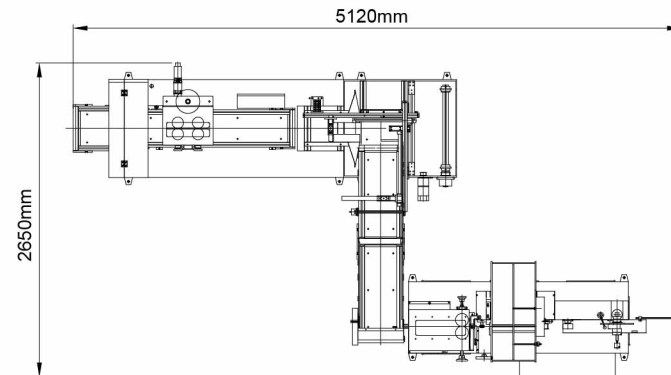
Max. speed: 10 bags/min or 1000 pcs/min  
 Straw dia.: 5~8 mm  
 Packing material: OPP film  
 Packing quantity: 50~100 pcs/bag or 100~200 pcs/bag  
 With Photocell to pack printed film



## FULLY AUTOMATED, IN-LINE ONE SET STRAW INDIVIDUAL PACKING and AUTO BAGGER / FLOW PACKER

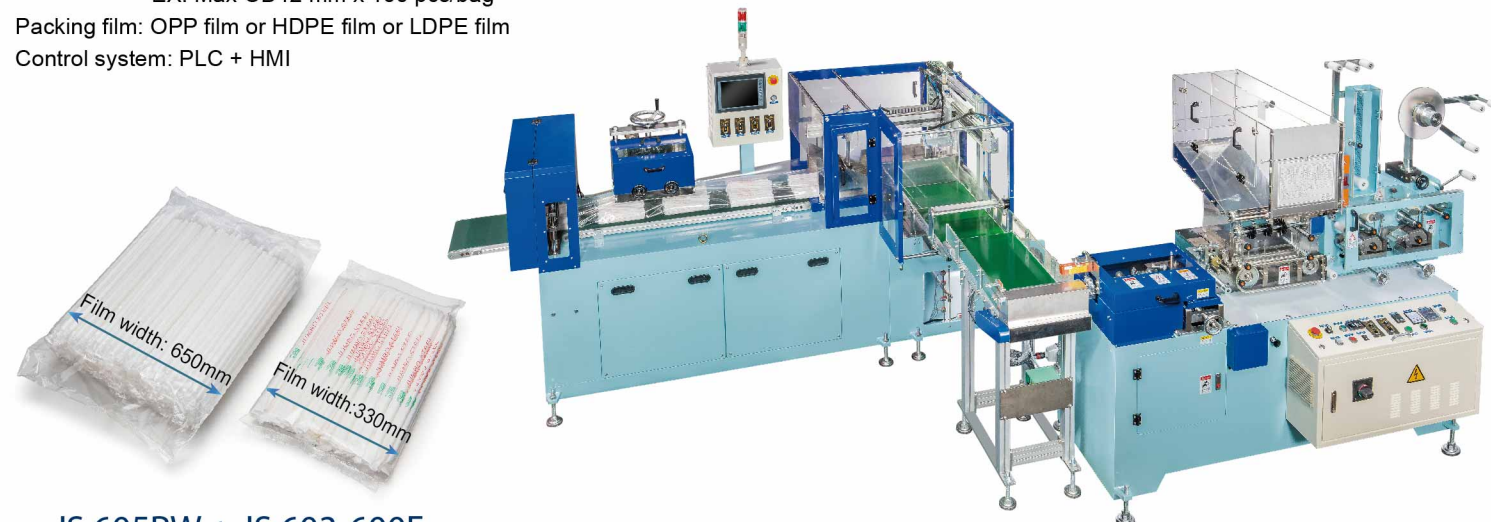
FOR 100~200 PCS / BAG

### JS 605PW + JS 603-600E



### JS 605PW + JS 603-600E

Straw dia.: 5~8 mm / 6~13 mm  
 Straw length: 190~260 mm  
 Speed: 3.5~8 bag/min  
 Packing quantity: 100~200 pcs/bag  
 EX: Max OD12 mm x 100 pcs/bag  
 Packing film: OPP film or HDPE film or LDPE film  
 Control system: PLC + HMI



JS 605PW + JS 603-600E



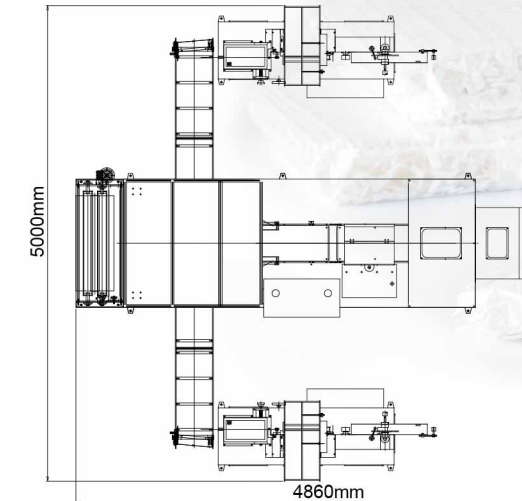
## FULLY AUTOMATED, IN-LINE TWO SETS STRAW INDIVIDUAL PACKING and AUTO BAGGER / FLOW PACKER

FOR 350~500 PCS / BAG

### JS 605PW x 2 sets + JS 603-1000E

### JS 605PW x 2 + JS 603-1000E

Straw dia.: 5~8 mm  
 Straw length: 190~260 mm  
 Speed: 3~5.5 bag/min  
 Packing quantity: 300~500 pcs/bag  
 EX: Max OD12 mm x 100 pcs/bag  
 Packing film: HDPE film or LDPE film  
 Control system: PLC + HMI for setting straw length and packing quantity



JS 603-1000E

